



Dongguan Zhiding Electronics Technology Co., LTD

No. 8, Yinling Industry Zone, Xiaqiao, Dongcheng District,

Dongguan, Guangdong, China

Tel:86-0769-22665151 Fax:86-0769-22665155 Contact: Elsa Xiao Email: sales@zhidingled.com

## smd led 1206 warm white

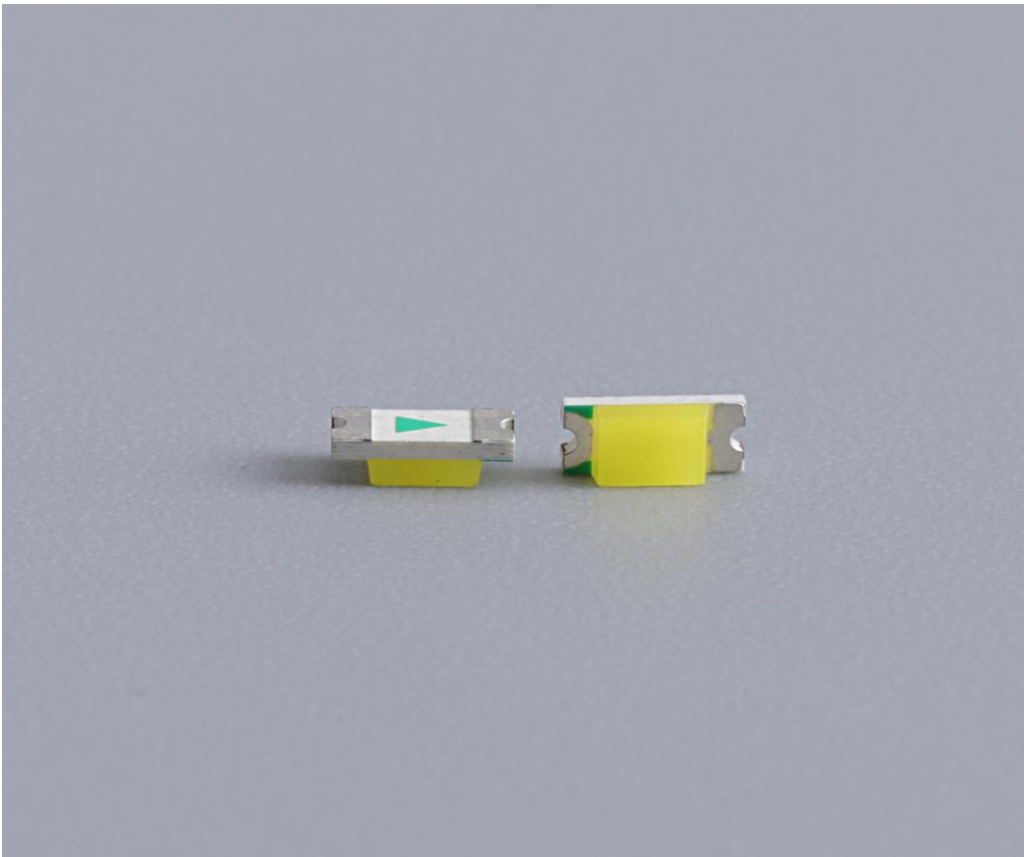
### Features:

- 1.Super high flux output and high luminance
- 2.Extremely wide viewing angle
- 3.Suitable for all SMT assembly and solder process
- 4.Available on tape and reel
- 5.Package: 3000pcs/reel
- 6.ROHS compliant

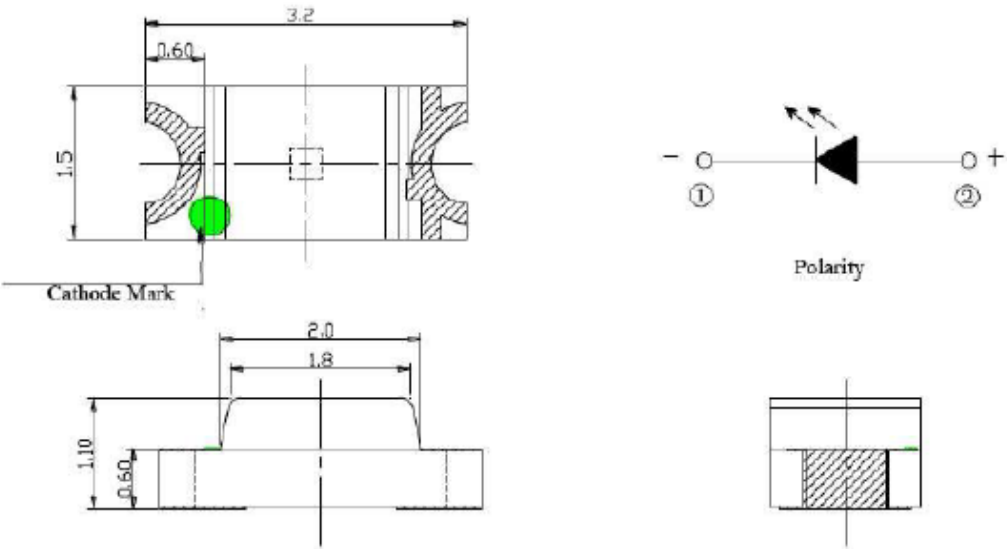
### White led with 1206 Package

#### CHARACTERISTICS (Ta=25°C)

Parameter	Condition	Symbol	Min	Typ	Max	Units
Power Dissipation	IF=20*3mA	Pd	.....	90	.....	mw
Correlated Color Temperature	IF=20*3mA	CCT	2800	3000	3200	K
Forward Voltage	IF=20*3mA	VF	3.0	3.0	3.2	V
	VR=5V	IR	.....	.....	10	μA
Chromaticity Coordinates	IF=20*3mA	X	.....	0.37	.....	
	IF=20*3mA	Y	.....	0.37	.....	
Luminous Intensity	IF=20*3mA	IV	2800	.....	3200	mcd
Luminous Flux	IF=20*3mA	φv	3	.....	4	Lm
Color Rendering Index	IF=20*3mA	CRI	80	.....	.....	Ra
Full Viewing Angle	IF=20*3mA	2θ1/2	.....	120	.....	deg



### Package Dimensions



Unit: (mm)

Tolerance:  $\pm 0.1$ mm



### Payment terms:

1. For samples, we usually accept Paypal payment.
2. For bulk order, we usually accept T / T payment. If the total amount is above US \$ 30,000, 50% deposit and 50% balance by T / T before shipment is available.

### Packing Detail:

Items per carton 30kpcs per roll, 30 rolls / carton

Package Measurements 40 \* 35 \* 34.5cm

Package Type: Standard Carton / 1 Roll in a Anti-Static Bag

Gross Weight 18.00KG

### Delivery Time

Delivery Time Samples Order 3-7working days

Bulk Order 5-30 working days

Delivery Way Samples Order DHL, FeDex, UPS, TNT, EMS

Bulk Order By air, By sea

### Min Order:

For regular products, MPQ is required generally. For customized products, please contact us directly.

**Welcome to receive your inquiry about smd led 1206 warm white.**

**WELCOME TO CONTACT US>>>>WWW.ZHIDINGLED.COM**



Oversea Sales Manager

Elsa Xiao

E-mail:sales@zhidingled.com

Skype: elsa.xiao0418

Mobile: 86-13412570091

WhatsApp: 86-13412570091

Tel: 86-769-22665151

Fax:86-769-22665155